

Fast-Cath™ Duo Hemostasis Introducer Cath-Lock™ Locking Hub

23 cm Sheath
9 F

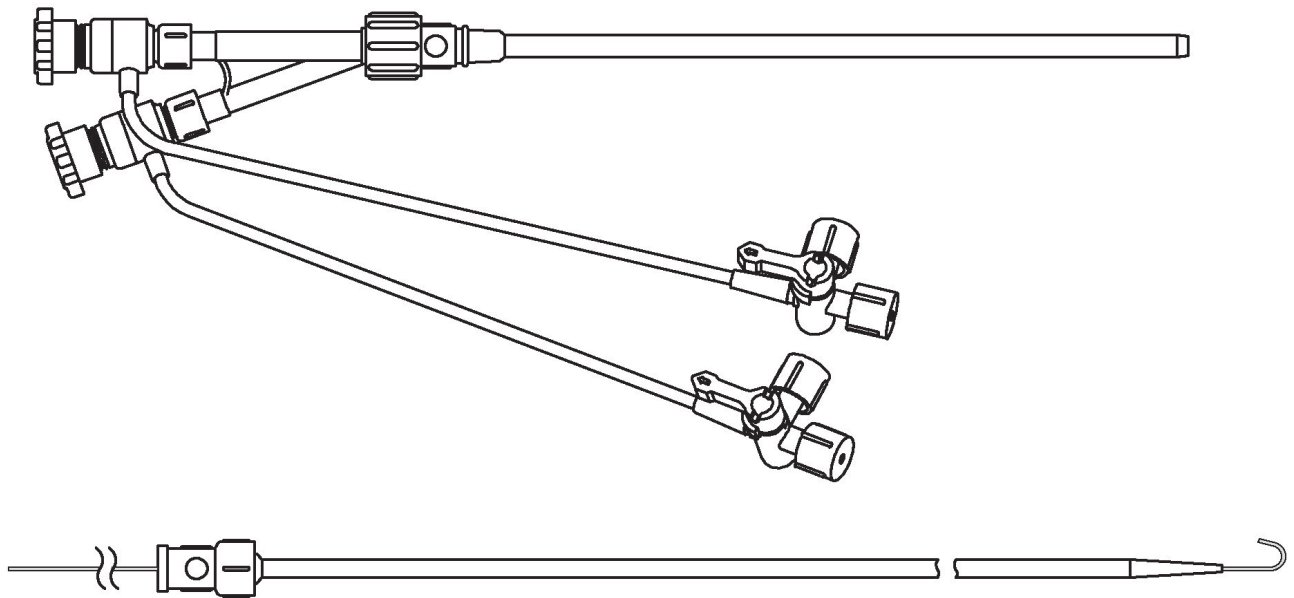
Product Highlights

- All of the advantages of Fast-Cath™ hemostasis introducer technology
- Two catheter access reduces the need for multiple punctures
- Multiple sideports to flush and aspirate prior to catheter insertion
- Color-coded Cath-Lock™ caps simplify catheter site identification
- Luer lock feature secures dilator in sheath during insertion
- Cath-Lock™ locking hub secures indwelling catheters in position

Ordering Information

Two-port Hemostasis Adapter with Sideports and Cath-Lock™ sealing mechanism, Venous Sheath, Dilator and 80 cm Double Distal Guidewire with “J” and straight ends (5 units per box).

REORDER NUMBER	FRENCH SIZE	MAXIMUM GUIDEWIRE DIAMETER (IN)	SHEATH USABLE LENGTH (CM)	MAXIMUM CATHETER CAPACITY
406333	9	.038	23	(1) 4 F & (1) 5 F



Fast-Cath™ Trio Hemostasis Introducers Cath-Lock™ Locking Hub

12 cm Sheath
10 F – 14 F

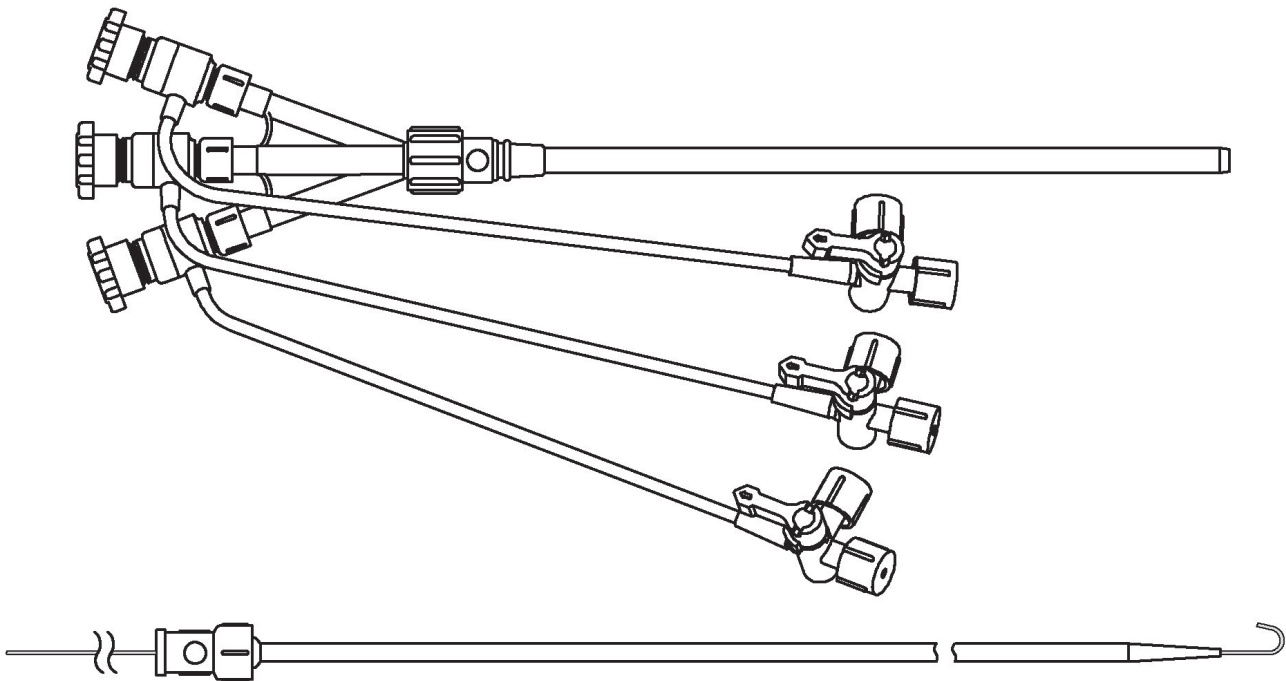
Product Highlights

- All of the advantages of Fast-Cath™ hemostasis introducer technology
- Three catheter access reduces the need for multiple punctures
- Multiple sideports to flush and aspirate prior to catheter insertion
- Color coded Cath-Lock™ caps simplify catheter site identification
- Luer lock feature secures dilator in sheath during insertion
- Cath-Lock™ locking hub secures indwelling catheters in position

Ordering Information

Three-port Hemostasis Adapter with Sideports and Cath-Lock™ sealing mechanism, Venous Sheath, Dilator and 50 cm Double Distal Guidewire with “J” and straight ends (5 units per box).

REORDER NUMBER	FRENCH SIZE	MAXIMUM GUIDEWIRE DIAMETER (IN)	SHEATH USABLE LENGTH (CM)	MAXIMUM CATHETER CAPACITY
406308	10	.038	12	(2) 4 F & (1) 5 F
406306	12	.038	12	(2) 5 F & (1) 7 F
406303	14	.038	12	(2) 6 F & (1) 7 F



Fast-Cath™ Trio Hemostasis Introducers Cath-Lock™ Locking Hub

23 cm Sheath
10 F

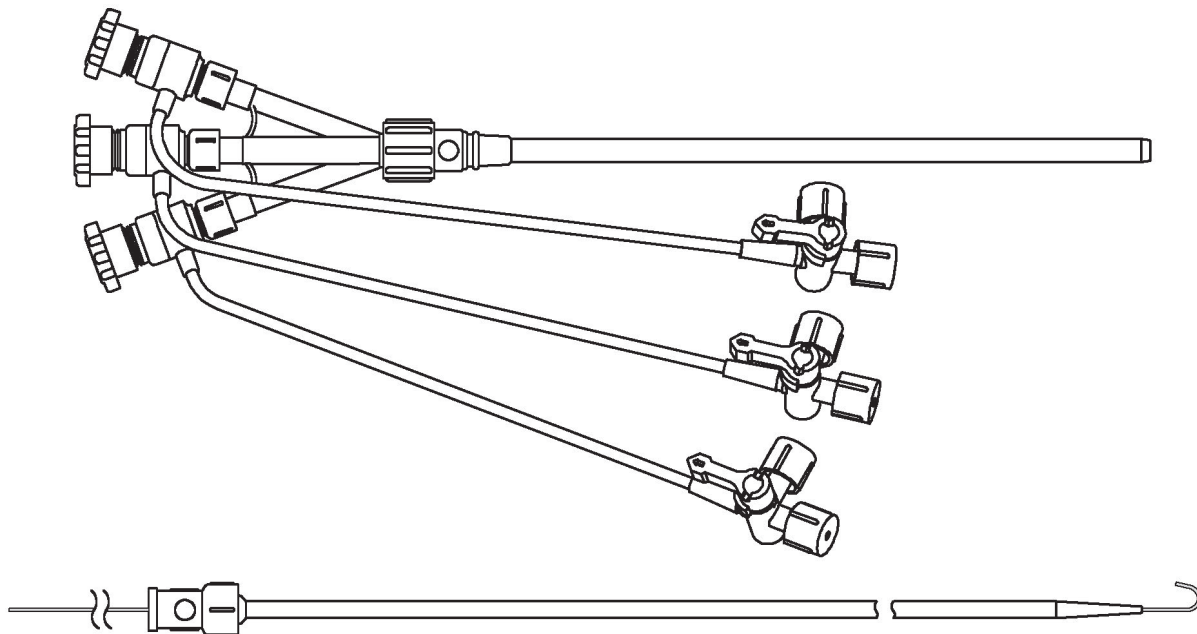
Product Highlights

- All of the advantages of Fast-Cath™ hemostasis introducer technology
- Three-catheter access reduces the need for multiple punctures
- Multiple sideports to flush and aspirate prior to catheter insertion
- Color-coded Cath-Lock™ caps simplify catheter site identification
- Luer lock feature secures dilator in sheath during insertion
- Cath-Lock™ locking hub secures indwelling catheters in position

Ordering Information

Three-port Hemostasis Adapter with Sideports and Cath-Lock™ sealing mechanism, Venous Sheath, Dilator and 80 cm Double Distal Guidewire with “J” and straight ends (5 units per box).

REORDER NUMBER	FRENCH SIZE	MAXIMUM GUIDEWIRE DIAMETER (IN)	SHEATH USABLE LENGTH (CM)	MAXIMUM CATHETER CAPACITY
406335	10	.038	23	(2) 4 F & (1) 5 F



SJM™ Peel-Away Introducer

14 cm Sheath
5 F – 16 F

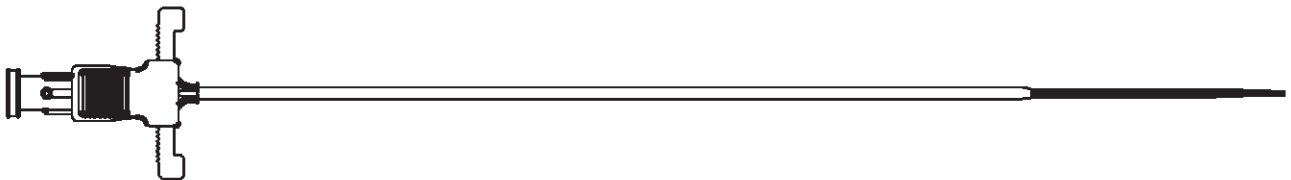
Product Highlights

- Proprietary materials improve insertion characteristics and reduce vessel trauma
- Close tolerance extrusion and proprietary tipping process facilitate tracking on a guidewire
- Reliable peeling characteristics
- Sheath can be totally occluded without kinking to prevent air aspiration
- Di-Lock™ feature secures dilator in sheath during insertion

Ordering Information

SJM™ Peel-Away Sheath and Di-Lock™ Dilator (5 units per box).

REORDER NUMBER	FRENCH SIZE	MAXIMUM GUIDEWIRE DIAMETER (IN)	SHEATH USABLE LENGTH (CM)
405404	6	.038	14
405408	7	.038	14
405412	8	.038	14
405416	9	.038	14
405418	9.5	.038	14
405420	10	.038	14
405422	10.5	.038	14
405424	11	.038	14
405428	12	.038	14



SJM™ Peel-Away Introducer

14 cm Sheath
 Introducer Kit
 5 F – 16 F

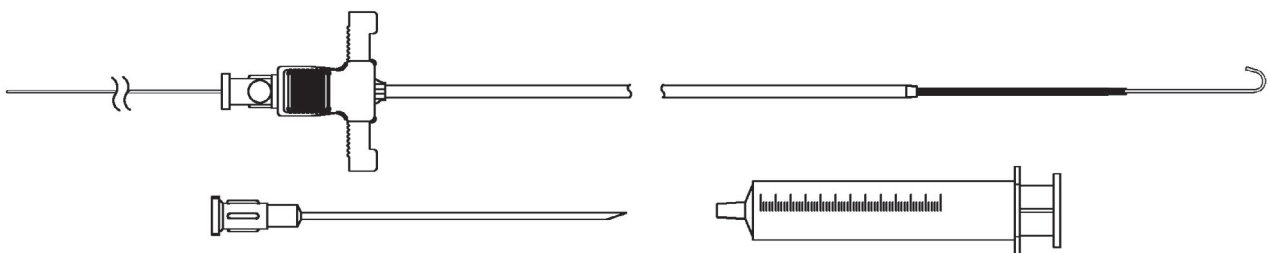
Product Highlights

- Proprietary materials improve insertion characteristics and reduce vessel trauma
- Close tolerance extrusion and proprietary tipping process facilitate tracking on a guidewire
- Reliable peeling characteristics
- Sheath can be totally occluded without kinking to prevent air aspiration
- Di-Lock™ feature secures dilator in sheath during insertion

Ordering Information

SJM™ Peel-Away Sheath, Di-Lock™ Dilator, 12 cc syringe, 18 ga. XTW Needle and 50 cm Guidewire with 3 mm “J” (5 units per box).

REORDER NUMBER	FRENCH SIZE	MAXIMUM GUIDEWIRE DIAMETER (IN)	SHEATH USABLE LENGTH (CM)
405104	6	.038	14
405108	7	.038	14
405112	8	.038	14
405116	9	.038	14
405118	9.5	.038	14
405120	10	.038	14
405122	10.5	.038	14
405124	11	.038	14
405128	12	.038	14
405136	14	.038	14



SJM™ Peel-Away Introducer

23 cm Sheath
7 F – 14 F

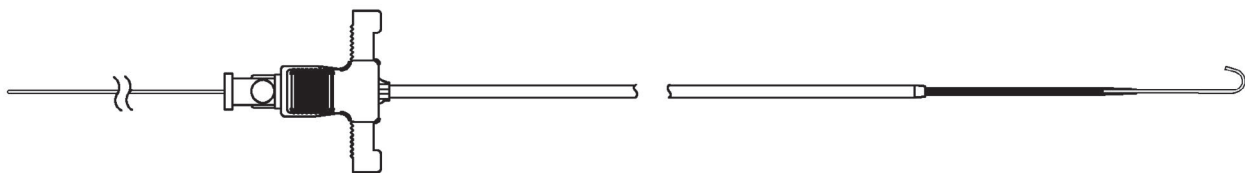
Product Highlights

- Proprietary materials improve insertion characteristics and reduce vessel trauma
- Close tolerance extrusion and proprietary tipping process facilitate tracking on a guidewire
- Reliable peeling characteristics
- Sheath can be totally occluded without kinking to prevent air aspiration
- Di-Lock™ feature secures dilator in sheath during insertion

Ordering Information

SJM™ Peel-Away Sheath, Di-Lock™ Dilator and 80 cm Guidewire with 3 mm “J” (10 units per box).

REORDER NUMBER	FRENCH SIZE	MAXIMUM GUIDEWIRE DIAMETER (IN)	SHEATH USABLE LENGTH (CM)
405269	7	.038	23
405270	8	.038	23
405254	9	.038	23



Fast-Cath™ Guiding Introducer Cath-Lock™ Locking Hub, 135° curve

60 cm Length
8 F – 8.5 F

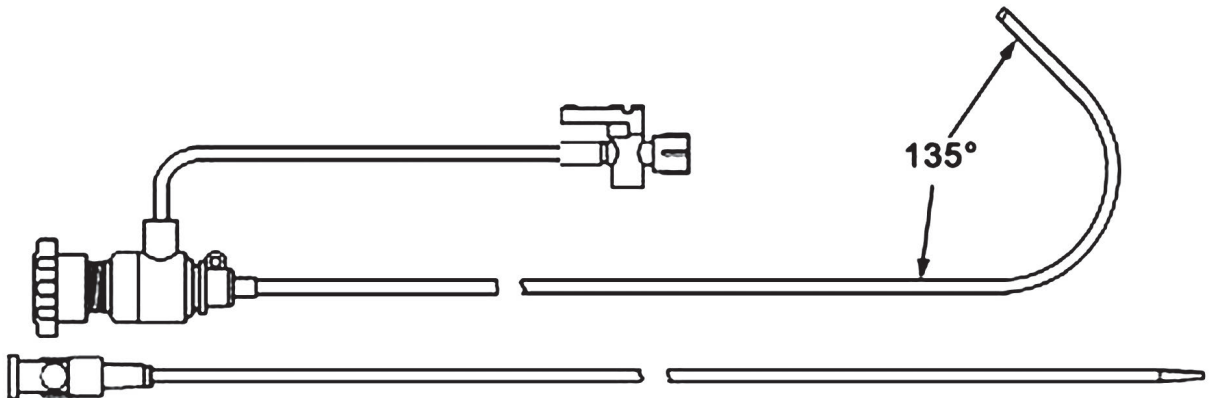
Product Highlights

- All of the advantages of Fast-Cath™ hemostasis introducer technology
- Cath-Lock™ locking hub secures indwelling catheters in position
- Snap lock feature secures dilator in sheath during insertion
- Side holes and radiopaque tip marker at distal end of the sheath

Ordering Information

Cath-Lock™ Introducer Sheath with Hemostasis Valve and Sideport, Dilator
(1 unit per box).

REORDER NUMBER	SHEATH FRENCH SIZE	DILATOR FRENCH SIZE	MAXIMUM GUIDEWIRE DIAMETER (IN)	CURVE TYPE	SHEATH USABLE LENGTH (CM)
406886	8	8	.038	135°	60



Fast-Cath™ Guiding Introducers Swartz™ SR™ Series

63 cm Length
8 F – 8.5 F

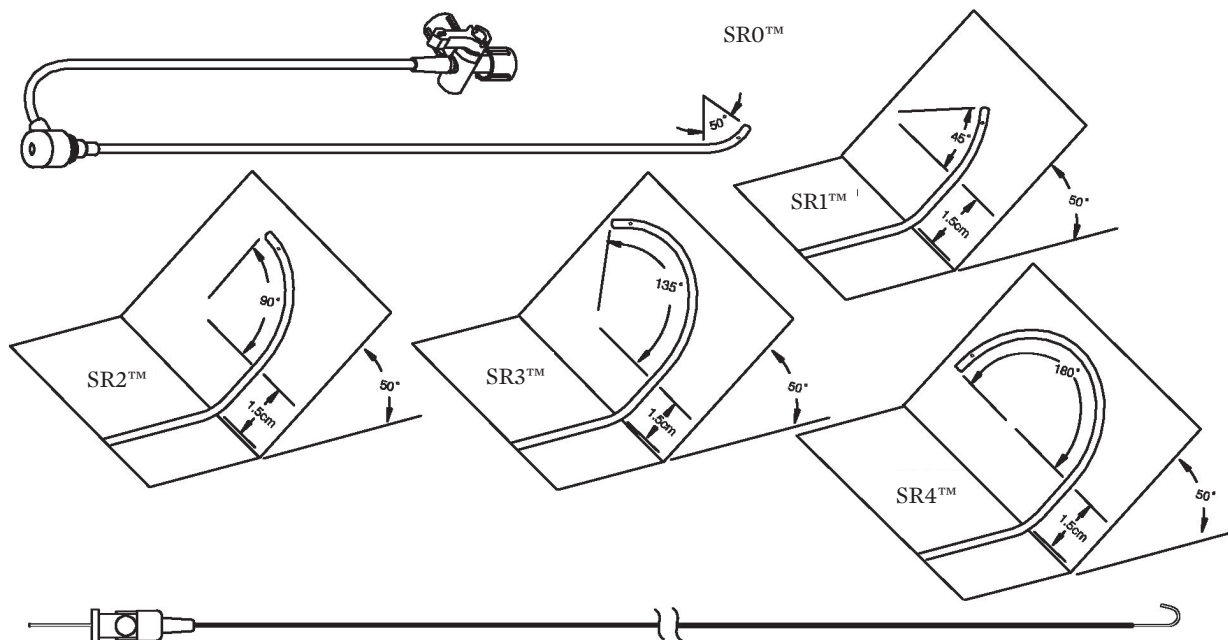
Product Highlights

- All of the advantages of Fast-Cath™ hemostasis introducer technology
- Side holes and radiopaque tip marker at the distal end of the sheath

Ordering Information

Swartz™ Introducer Sheath with Hemostasis Valve and Sideport, Dilator and 145 cm Guidewire with Finger Straightenable 3 mm “J” (1 unit per box).

REORDER NUMBER	SHEATH FRENCH SIZE	DILATOR FRENCH SIZE	MAXIMUM GUIDEWIRE DIAMETER (IN)	CURVE TYPE	SHEATH USABLE LENGTH (CM)
406844	8	8	.038	SR0™	63
406845	8	8	.038	SR1™	63
406846	8	8	.038	SR2™	63
406847	8	8	.038	SR3™	63
406848	8	8	.038	SR4™	63
406853	8.5	8.5	.038	SR0™	63
406854	8.5	8.5	.038	SR1™	63
406855	8.5	8.5	.038	SR2™	63
406856	8.5	8.5	.038	SR3™	63
406857	8.5	8.5	.038	SR4™	63



Fast-Cath™ Guiding Introducers Swartz™ SR™ Series

81 cm Length
8 F

Product Highlights

- Usable sheath length extended to 81 cm
- All of the advantages of Fast-Cath™ hemostasis introducer technology
- Side holes and radiopaque tip marker at the distal end of the sheath

Ordering Information

Swartz™ Introducer Sheath with Hemostasis Valve and Sideport, Dilator and 180 cm Guidewire with Finger Straightenable 3 mm “J” (1 unit per box).

REORDER NUMBER	SHEATH FRENCH SIZE	DILATOR FRENCH SIZE	MAXIMUM GUIDEWIRE DIAMETER (IN)	CURVE TYPE	SHEATH USABLE LENGTH (CM)
407405	8	8	.038	SR1™	81
407406	8	8	.038	SR2™	81

