

Agilis™ NxT Steerable Introducers Dual-Reach™

71 cm Sheath
BRK™ Transseptal Needle
Small Curl Transseptal Kits
8.5 F

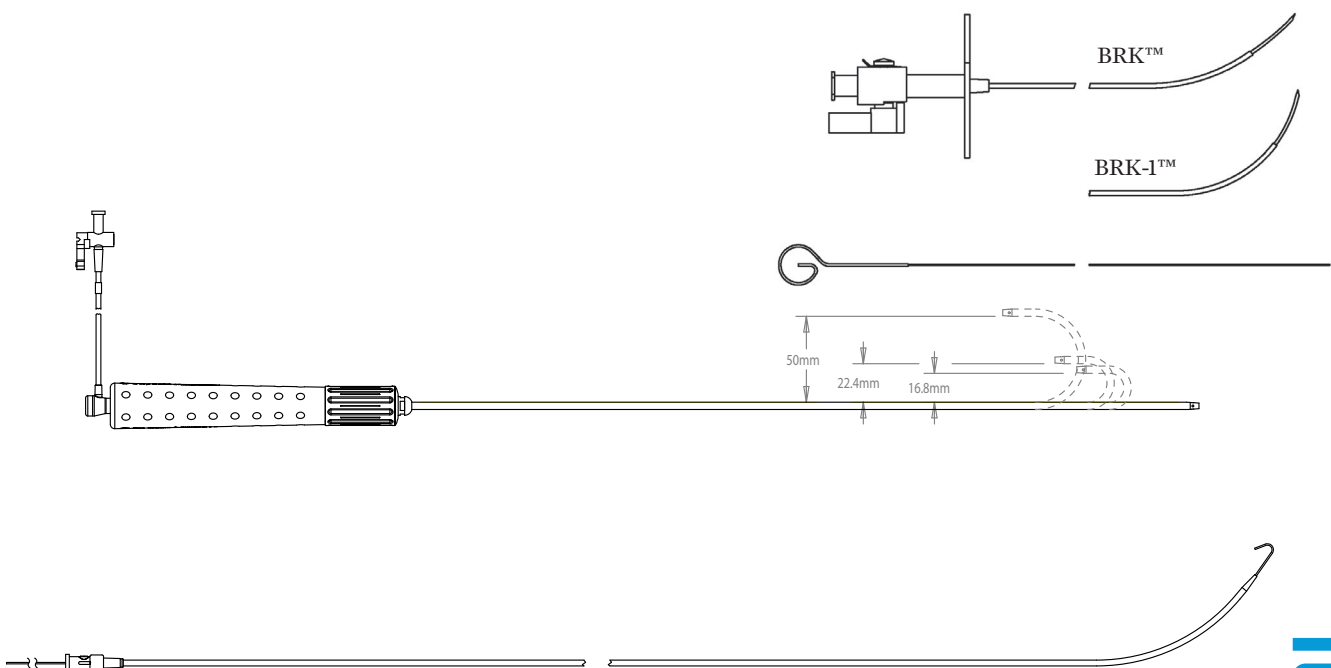
Product Highlights

- Agilis™ NxT Steerable Introducer:
 - Precise steering control
 - Ergonomic handle
 - Dual-Reach™ Bi-directional deflection
 - Braided introducer shaft
 - Atraumatic tip
 - Integrated hemostasis valve
 - Radiopaque tip marker
- BRK™ Transseptal Needle:
 - 98 cm Transseptal Needle, Adult size
 - Pointer on the needle shield shows the direction of the needle curve

Ordering Information

8.5 F Agilis™ NxT Steerable Introducer with Tip Marker; 91 cm Lumen Length, 71 cm Usable Length, Dilator and 180 cm Super Stiff Guidewire with Finger Straightenable 3 mm “J” (1 unit per box) BRK™ or BRK-1™ Transseptal Needle and Stainless Steel Stylet (1 unit per box). Contents combined in one outer box (1 unit each per outer box). Dilator protrusion at full assembly ~ 3 cm.

REORDER NUMBER	SHEATH CURVE TYPE	SHEATH DESCRIPTION	NEEDLE CURVE TYPE	NEEDLE DESCRIPTION
408312	Small Curl	91 cm Lumen Length, 71 cm Usable Length, Dilator, 180 cm Super Stiff Guidewire with Finger Straightenable 3 mm “J”	BRK™	BRK™ Transseptal Needle and Stainless Steel Stylet, Adult 18 Ga., 98 cm Needle Usable Length
408313	Small Curl	91 cm Lumen Length, 71 cm Usable Length, Dilator, 180 cm Super Stiff Guidewire with Finger Straightenable 3 mm “J”	BRK-1™	BRK-1™ Transseptal Needle and Stainless Steel Stylet, Adult 18 Ga., 98 cm Needle Usable Length



Agilis™ NxT Steerable Introducers Dual-Reach™

71 cm Sheath
BRK™ Transseptal Needle
Medium Curl Transseptal Kits
8.5 F

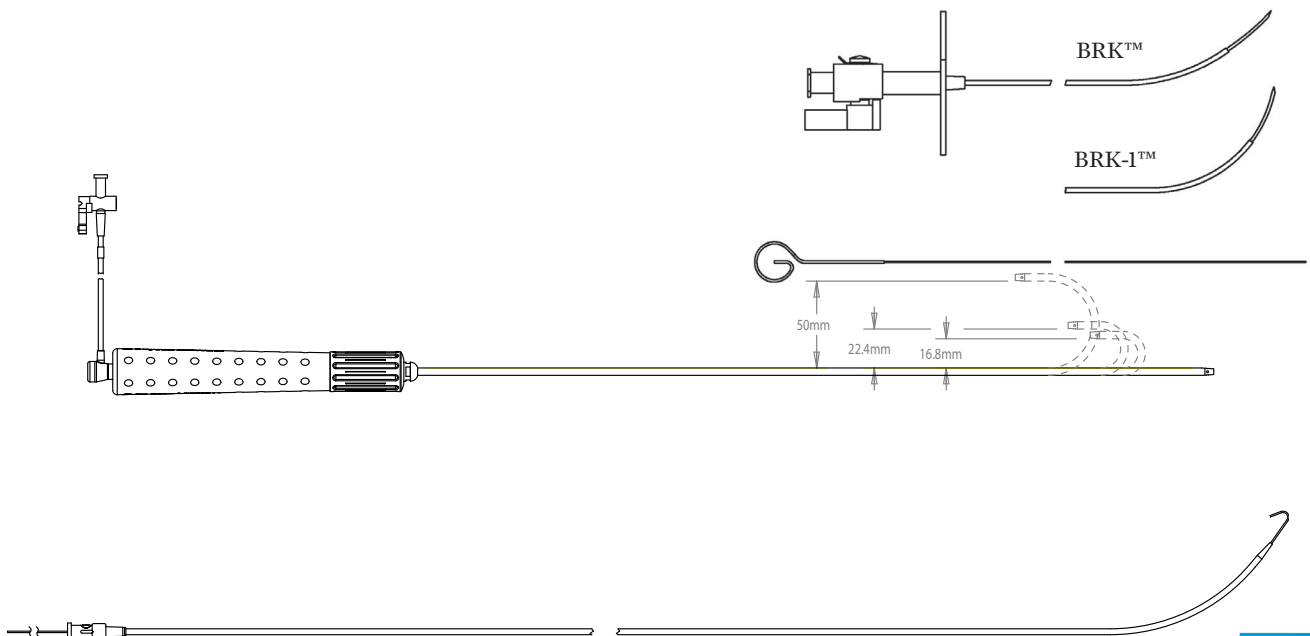
Product Highlights

- Agilis™ NxT Steerable Introducer:
 - Precise steering control
 - Ergonomic handle
 - Dual-Reach™ Bi-directional deflection
 - Braided introducer shaft
 - Atraumatic tip
 - Integrated hemostasis valve
 - Radiopaque tip marker
- BRK™ Transseptal Needle:
 - 98 cm Transseptal Needle, Adult size
 - Pointer on the needle shield shows the direction of the needle curve

Ordering Information

8.5 F Agilis™ NxT Steerable Introducer with Tip Marker; 91 cm Lumen Length, 71 cm Usable Length, Dilator and 180 cm Super Stiff Guidewire with Finger Straightenable 3 mm “J” (1 unit per box), BRK™ Transseptal Needle and Stainless Steel Stylet (1 unit per box). Contents combined in one outer box (1 unit each per outer box). Dilator protrusion at full assembly ~ 3 cm.

REORDER NUMBER	SHEATH CURVE TYPE	SHEATH DESCRIPTION	NEEDLE CURVE TYPE	NEEDLE DESCRIPTION
408314	Medium Curl	91 cm Lumen Length, 71 cm Usable Length, Dilator, 180 cm Super Stiff Guidewire with Finger Straightenable 3 mm “J”	BRK™	BRK™ Transseptal Needle and Stainless Steel Stylet, Adult 18 Ga., 98 cm Needle Usable Length
408315	Medium Curl	91 cm Lumen Length, 71 cm Usable Length, Dilator, 180 cm Super Stiff Guidewire with Finger Straightenable 3 mm “J”	BRK-1™	BRK-1™ Transseptal Needle and Stainless Steel Stylet, Adult 18 Ga., 98 cm Needle Usable Length



Agilis™ NxT Steerable Introducer Dual-Reach™

82 cm Sheath
8.5 F

Product Highlights

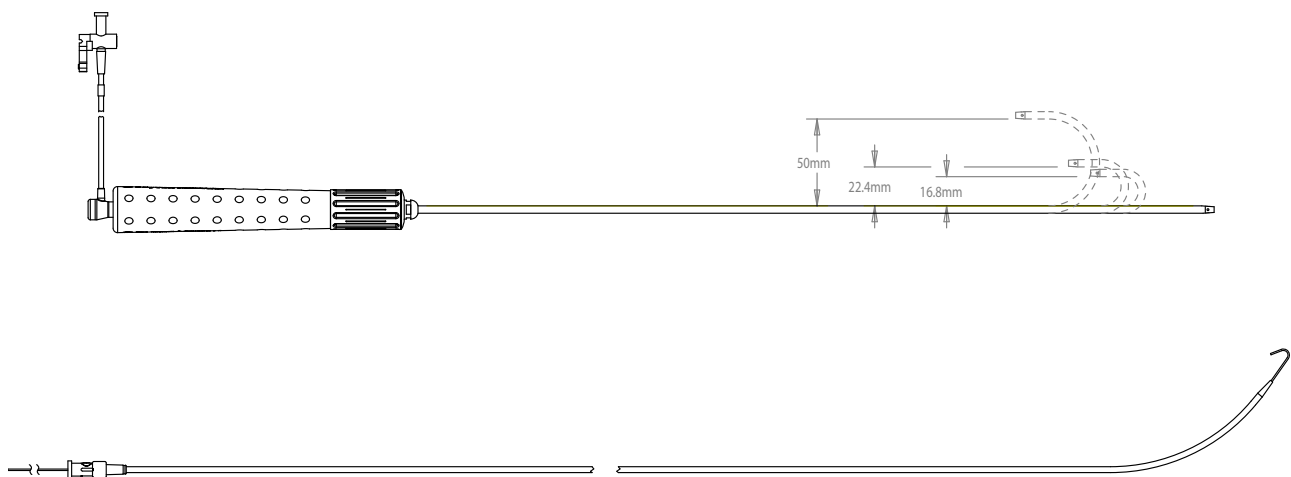
- Precise steering control
- Ergonomic handle
- Dual-Reach™ Bi-directional deflection
- Braided introducer shaft
- Atraumatic tip
- Integrated hemostasis valve
- Radiopaque tip marker

Ordering Information

8.5 F Agilis™ NxT Steerable Introducer with Tip Marker; 102 cm Lumen Length, 82 cm Usable Length, Dilator and 180 cm Super Stiff Guidewire with Finger Straightenable 3 mm “J” (1 unit per box). Dilator protrusion at full assembly ~ 3 cm.

REORDER NUMBER	CURL DIMENSION	SHEATH FRENCH SIZE	DILATOR FRENCH SIZE	MAXIMUM GUIDEWIRE DIAMETER (IN)	CURVE TYPE	SHEATH USABLE LENGTH (CM)
G408332*	50.0 mm	8.5	8.5	.032	Large Curl Dual-Reach™ Bi-directional	82

*Models with improved kink resistance



Swartz™ Braided Transseptal Guiding Introducers SL Series

63 cm Length
8 F – 8.5 F

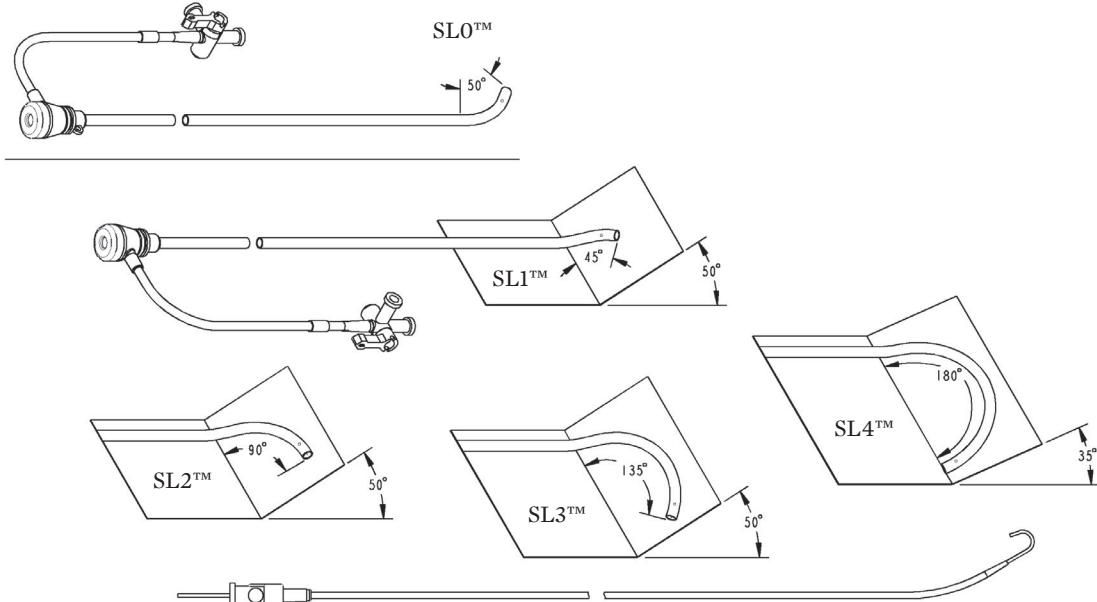
Product Highlights

- Braided sheath facilitates torqueability, pushability and catheter stability
- Ultra-soft tip for atraumatic performance
- Multiple curve options available
- Smaller offset side hole reduce likelihood of guidewire exiting side hole
- Ultim™ valve for effective hemostasis and minimal risk of air aspiration
- Accommodates 71 cm length BRK™ Transseptal Needles, BRK-1™ and XS series versions, see pages 34 and 35

Ordering Information

Swartz™ Braided SL Transseptal Guiding Introducer Sheath with Hemostasis Valve and Sideport, Dilator and 180 cm Super Stiff Guidewire with Finger Straightenable 3 mm “J” (1 unit per box). Dilator protrusion at full assembly ~ 3 cm.

REORDER NUMBER	SHEATH FRENCH SIZE	DILATOR FRENCH SIZE	MAXIMUM GUIDEWIRE DIAMETER (IN)	CURVE TYPE	SHEATH USABLE LENGTH (CM)	DILATOR USABLE LENGTH (CM)
407449	8	8	.032	SL0™	63	67
407439	8	8	.032	SL1™	63	67
407441	8	8	.032	SL2™	63	67
407443	8	8	.032	SL3™	63	67
407446	8	8	.032	SL4™	63	67
407451	8.5	8.5	.032	SL0™	63	67
407453	8.5	8.5	.032	SL1™	63	67
407455	8.5	8.5	.032	SL2™	63	67
407457	8.5	8.5	.032	SL3™	63 </td <td>67</td>	67
407459	8.5	8.5	.032	SL4™	63	67



Swartz™ Braided Transseptal Guiding Introducers SL Series

81 cm Length
8 F – 8.5 F

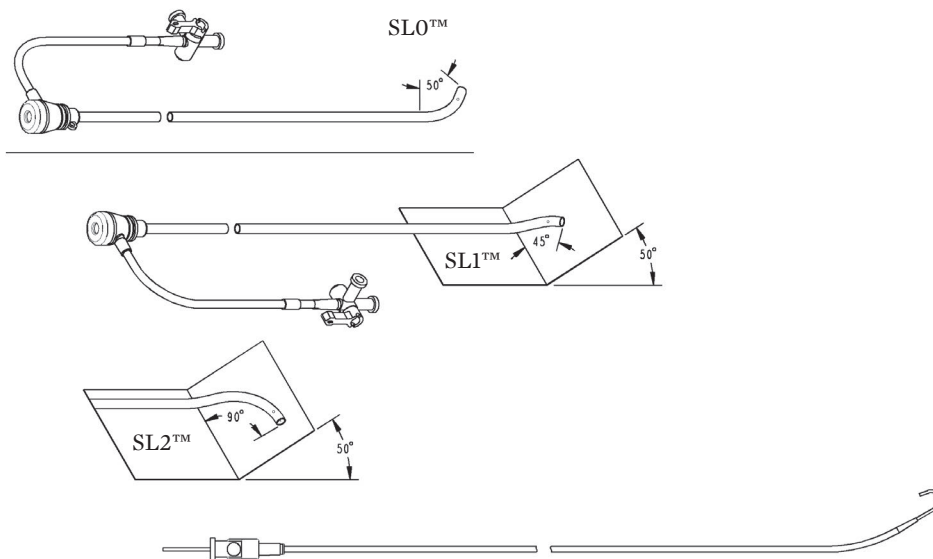
Product Highlights

- Braided sheath facilitates torqueability, pushability and catheter stability
- Ultra-soft tip for atraumatic performance
- Multiple curve options available
- Smaller offset sideholes reduce likelihood of guidewire exiting sidehole
- Ultim™ valve for effective hemostasis and minimal risk of air aspiration
- Accommodates 89 cm length BRK™ Transseptal Needles, BRK-1™ and XS series versions, see pages 34 and 35

Ordering Information

Swartz™ Braided SL Transseptal Guiding Introducer Sheath with Hemostasis Valve and Sideport, Dilator, and 180 cm Super Stiff Guidewire with Finger Straightenable 3 mm “J” (1 unit per box). Dilator protrusion at full assembly ~ 3 cm.

REORDER NUMBER	SHEATH FRENCH SIZE	DILATOR FRENCH SIZE	MAXIMUM GUIDEWIRE DIAMETER (IN)	CURVE TYPE	SHEATH USABLE LENGTH (CM)	DILATOR USABLE LENGTH (CM)
407450	8	8	.032	SLO™	81	85
407440	8	8	.032	SL1™	81	85
407452	8.5	8.5	.032	SLO™	81	85
407454	8.5	8.5	.032	SL1™	81	85
407456	8.5	8.5	.032	SL2™	81	85



Swartz™ Braided Transseptal Guiding Introducers LAMP™ Series

63 cm Length

8 F – 8.5 F

Product Highlights

- Braided sheath facilitates torquability, pushability and catheter stability
- Ultra-soft tip for atraumatic performance
- Three curve options available (LAMP™ 45, LAMP™ 90, LAMP™ 135) (LAMP = Left Atrial Multi Purpose)
- Smaller offset sideholes reduce likelihood of guidewire exiting sidehole
- Ultim™ valve for effective hemostasis and minimal risk of air aspiration
- Accommodates 71 cm length BRK™ Transseptal Needles, BRK-1™ and XS series versions, see pages 34 and 35

Ordering Information

Swartz™ Braided LAMP™ Transseptal Guiding Introducer Sheath with Hemostasis valve and Sideport, Dilator and 180 cm Super Stiff Guidewire 3 mm “J” (1 unit per box). Dilator protrusion at full assembly ~ 3 cm.

REORDER NUMBER	SHEATH FRENCH SIZE	DILATOR FRENCH SIZE	MAXIMUM GUIDEWIRE DIAMETER (IN)	CURVE TYPE	SHEATH USABLE LENGTH (CM)	DILATOR USABLE LENGTH (CM)
407360	8	8	.032	LAMP™ 45	63	67
407362	8.5	8.5	.032	LAMP™ 45	63	67
407356	8	8	.032	LAMP™ 90	63	67
407358	8.5	8.5	.032	LAMP™ 90	63	67
407364	8	8	.032	LAMP™ 135	63	67
407366	8.5	8.5	.032	LAMP™ 135	63	67

