

Fast-Cath™ Guiding Introducers RAMP™ Series

60 cm Sheath
8 F – 8.5 F

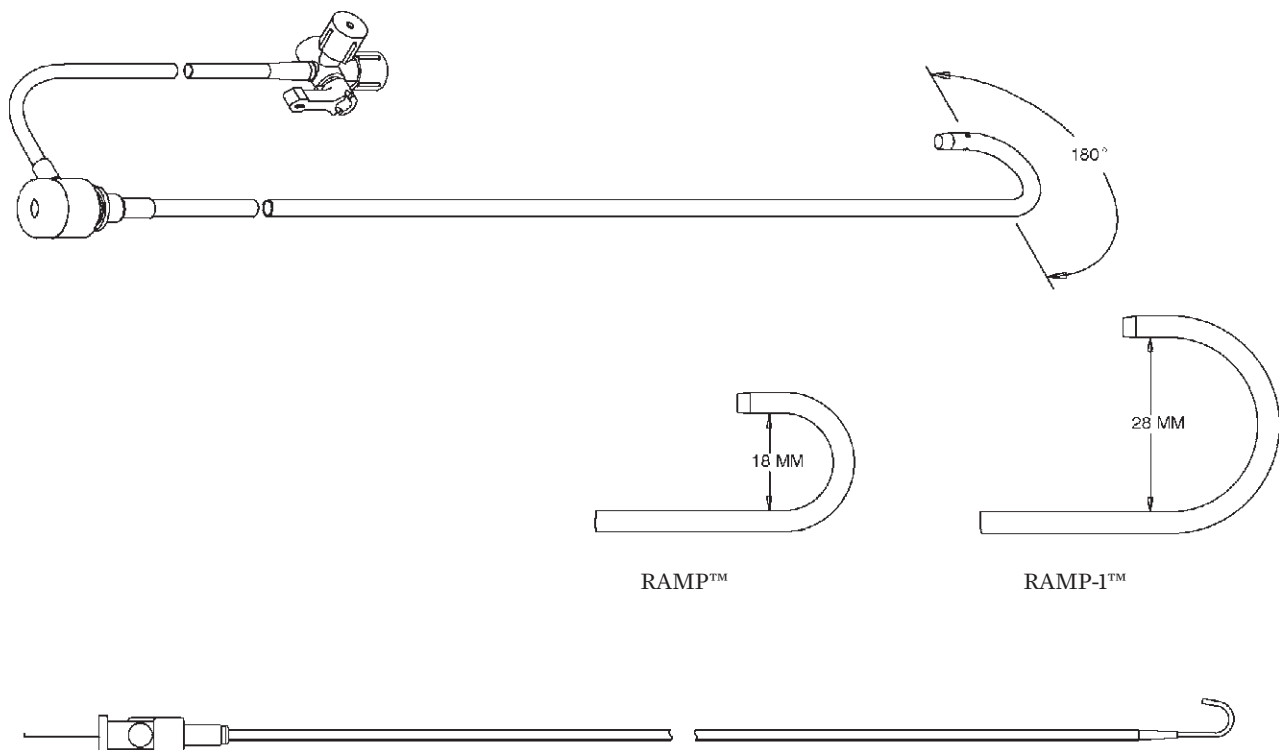
Product Highlights

- All of the advantages of Fast-Cath™ hemostasis introducer technology
- Side holes and radiopaque tip marker at the distal end of the sheath
- Larger curve diameter of RAMP-1™ model accommodates larger ablation electrodes

Ordering Information

Introducer Sheath with Hemostasis Valve and Sideport, Dilator and 145 cm Guidewire with 3 mm “J” (1 unit per box).

REORDER NUMBER	FRENCH SIZE	MAXIMUM GUIDEWIRE DIAMETER (IN)	CURVE TYPE	CURVE DIAMETER (MM)	SHEATH USABLE LENGTH (CM)
406898	8	.038	RAMP™	18	60
406965	8.5	.038	RAMP™	18	60
406943	8	.038	RAMP-1™	28	60
406975	8.5	.038	RAMP-1™	28	60



Fast-Cath™ Guiding Introducers SAFL™ Series

60 cm Sheath
8 F – 8.5 F

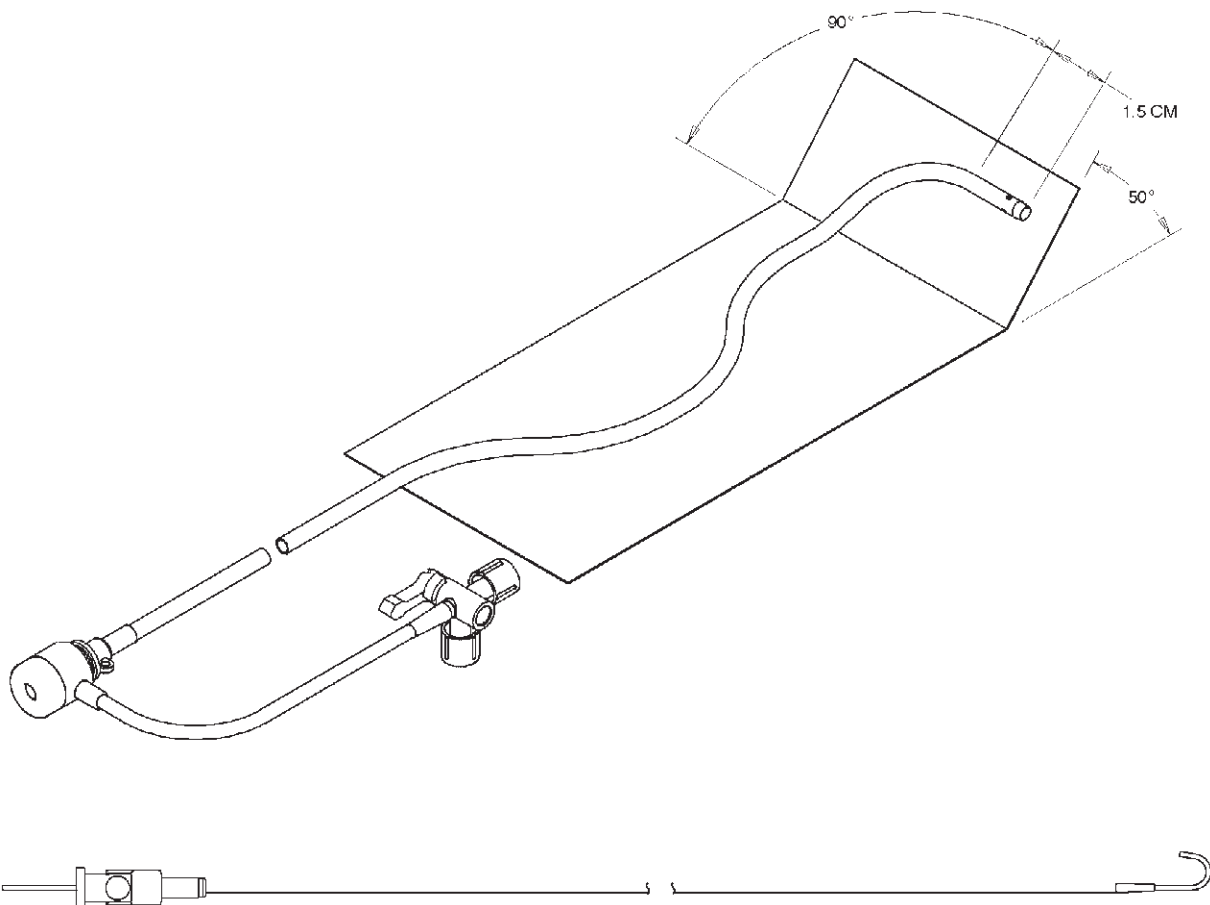
Product Highlights

- All of the advantages of Fast-Cath™ hemostasis introducer technology
- Side holes and radiopaque tip marker at the distal end of the sheath

Ordering Information

Introducer Sheath with Hemostasis Valve and Sideport, Dilator, and 145 cm Guidewire with 3 mm “J”. (1 unit per box)

REORDER NUMBER	FRENCH SIZE	MAXIMUM GUIDEWIRE DIAMETER (IN)	SHEATH USABLE LENGTH (CM)
406871	8	.038	60
406868	8.5	.038	60



Fast-Cath™ Guiding Introducers SEPT™ Series

60 cm Sheath
8 F – 8.5 F

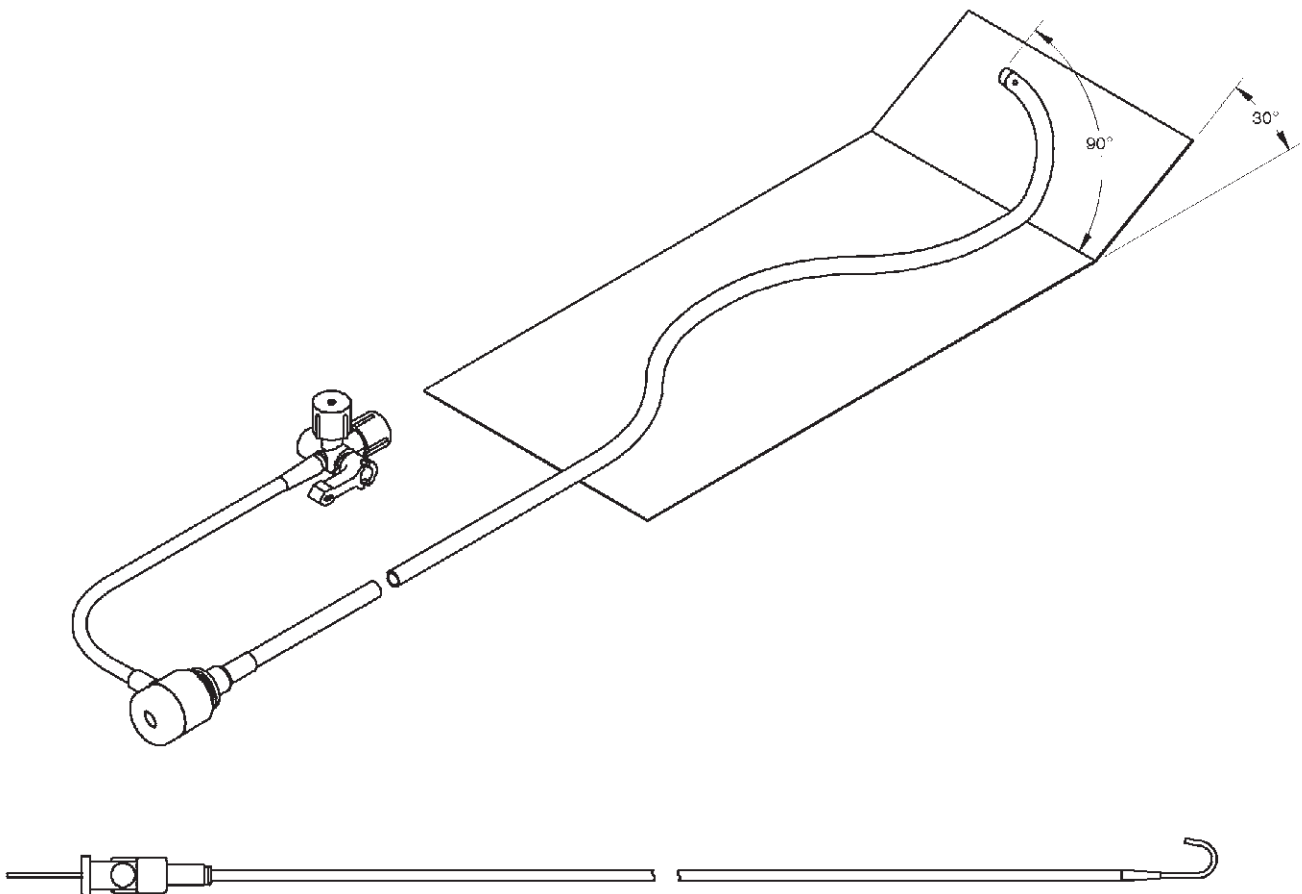
Product Highlights

- All of the advantages of Fast-Cath™ hemostasis introducer technology
- Side holes and radiopaque tip marker at the distal end of the sheath

Ordering Information

Introducer Sheath with Hemostasis Valve and Sideport, Dilator, and 145 cm Guidewire with 3 mm “J” (1 unit per box)

REORDER NUMBER	FRENCH SIZE	MAXIMUM GUIDEWIRE DIAMETER (IN)	SHEATH USABLE LENGTH (CM)
406885	8	.038	60
406894	8.5	.038	60



Fast-Cath™ Guiding Introducers CSTA™ Series

60 cm Sheath
8 F – 8.5 F

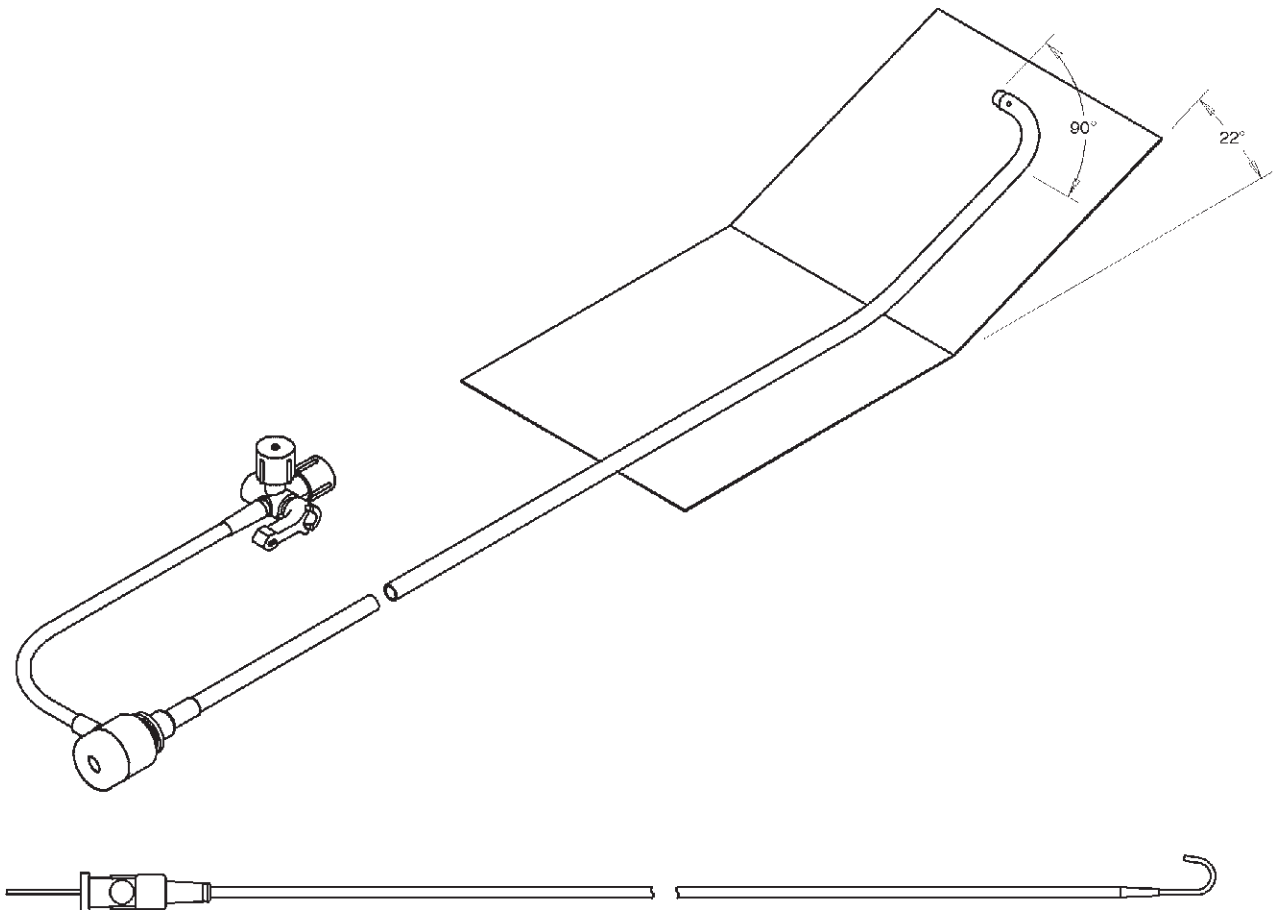
Product Highlights

- All of the advantages of Fast-Cath™ hemostasis introducer technology
- Side holes and radiopaque tip marker at the distal end of the sheath

Ordering Information

Introducer Sheath with Hemostasis Valve and Sideport, Dilator and 145 cm Guidewire with 3 mm “J” (1 unit per box)

REORDER NUMBER	FRENCH SIZE	MAXIMUM GUIDEWIRE DIAMETER (IN)	SHEATH USABLE LENGTH (CM)
406872	8	.038	60
406870	8.5	.038	60



Fast-Cath™ Guiding Introducers Specialty Series

8 F, 10 F

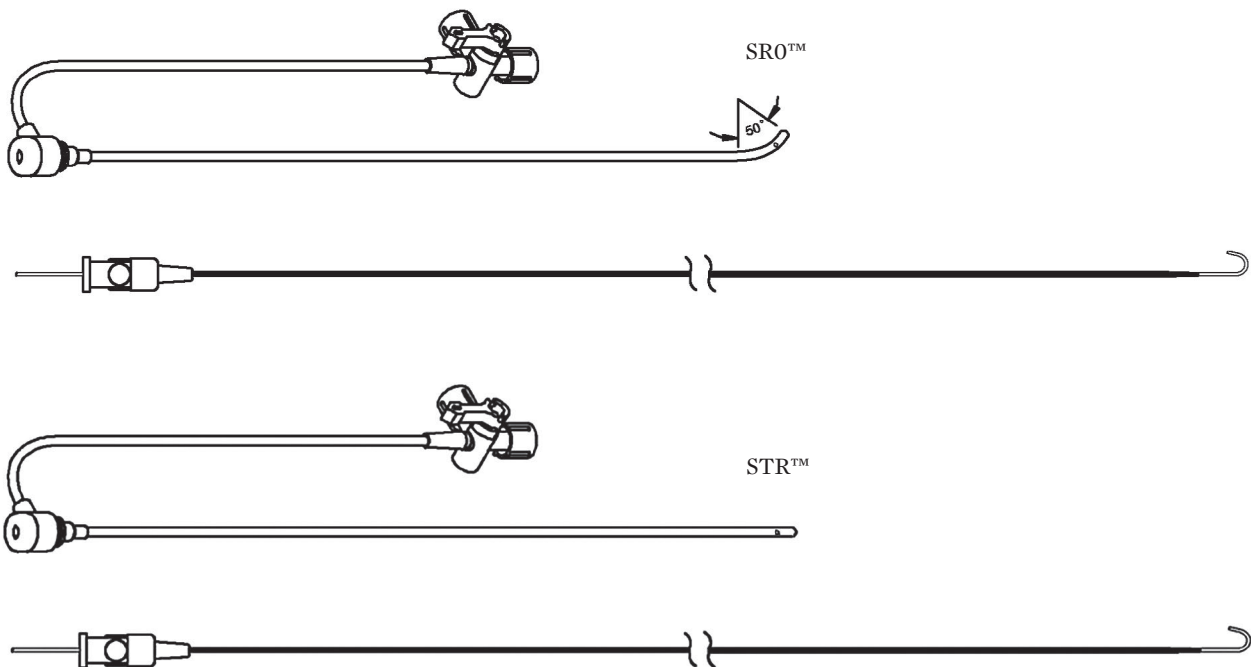
Product Highlights

- All of the advantages of Fast-Cath™ hemostasis introducer technology
- Side holes and radiopaque tip marker at the distal end of the sheath

Ordering Information

Introducer Sheath with Hemostasis Valve and Sideport, Dilator and Guidewire with Finger Straightenable 3 mm “J” (1 unit per box)

REORDER NUMBER	SHEATH FRENCH SIZE	DILATOR FRENCH SIZE	GUIDEWIRE LENGTH AND TYPE	MAXIMUM GUIDEWIRE DIAMETER (IN)	CURVE TYPE	SHEATH USABLE LENGTH (CM)	DILATOR USABLE LENGTH (CM)
406976	8.5	8.5	145 cm	.038	Straight	63	67
406967	10	10	145 cm	.038	SR0™	63	67



Agilis™ EPI Steerable Introducer Dual-Reach™

40 cm Sheath
8.5 F

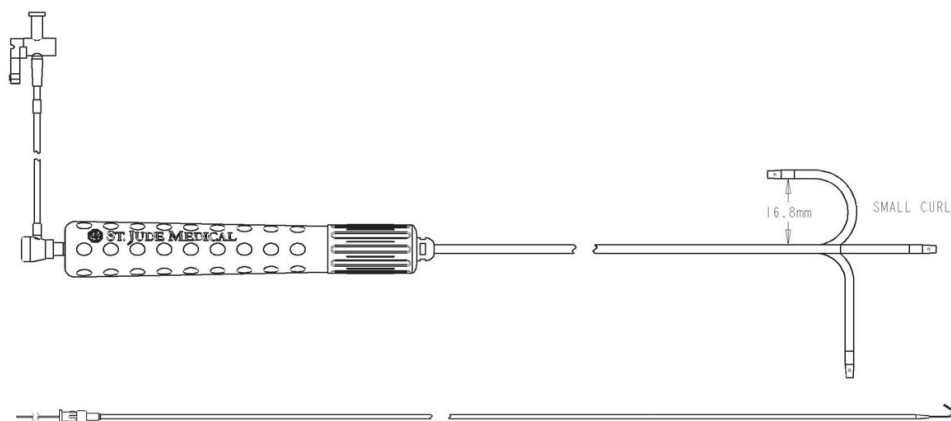
Product Highlights

- Designed for epicardial access
- Precise steering control
- Ergonomic handle
- Dual-Reach™ Bi-directional deflection
- Braided introducer shaft
- Atraumatic tip
- Integrated hemostasis valve
- Radiopaque tip marker

Ordering Information

8.5 F Agilis™ EPI Steerable Introducer with Tip Marker; 61 cm Lumen Length, 40 cm Usable Length, 62cm Straight Dilator, 180 cm Super Stiff Guidewire with Finger Straightenable 3 mm “J” (1 unit per box). Dilator protrusion at full assembly ~ 2 cm.

REORDER NUMBER	CURL DIMENSION	SHEATH FRENCH SIZE	DILATOR FRENCH SIZE	MAXIMUM GUIDEWIRE DIAMETER (IN)	CURVE TYPE	SHEATH USABLE LENGTH (CM)
G408333	16.8 mm	8.5	8.5	.032	Small Curl Dual-Reach™ Bi-directional	40



Agilis™ NxT Steerable Introducers Dual-Reach™

61 cm Sheath
8.5 F

Product Highlights

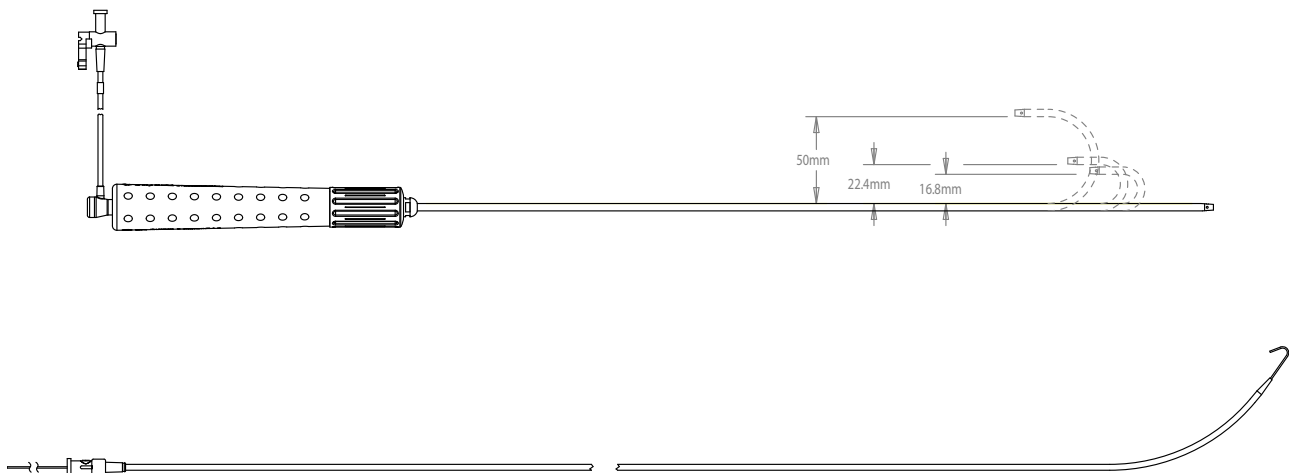
- Precise steering control
- Ergonomic handle
- Dual-Reach™ Bi-directional deflection
- Braided introducer shaft with improved kink resistance
- Atraumatic tip
- Integrated hemostasis valve
- Radiopaque tip marker
- Accommodates 89 cm length BRK™ Transseptal Needles, BRK-1™ and XS series versions, see pages 34 and 35

Ordering Information

8.5 F Agilis™ NxT Steerable Introducer with Tip Marker; 81 cm Lumen Length, 61 cm Usable Length, Dilator and 180 cm Super Stiff Guidewire with Finger Straightenable 3 mm “J” (1 unit per box). Dilator protrusion at full assembly ~ 4.5 cm.

REORDER NUMBER	CURL DIMENSION	SHEATH FRENCH SIZE	DILATOR FRENCH SIZE	MAXIMUM GUIDEWIRE DIAMETER (IN)	CURVE TYPE	SHEATH USABLE LENGTH (CM)
G408318*	16.8 mm	8.5	8.5	.032	Small Curl Dual-Reach™ Bi-directional	61
G408319*	22.4 mm	8.5	8.5	.032	Medium Curl Dual-Reach™ Bi-directional	61

*Models with improved kink resistance



Agilis™ NxT Steerable Introducers Dual-Reach™

71 cm Sheath
8.5 F

Product Highlights

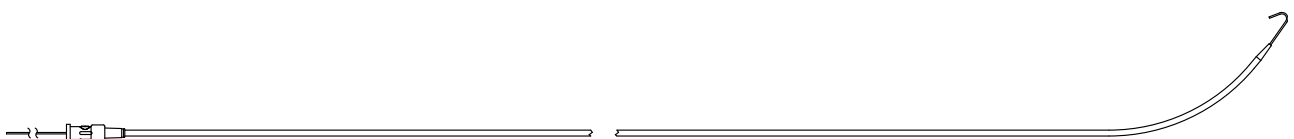
- Precise steering control
- Ergonomic handle
- Dual-Reach™ Bi-directional deflection
- Braided introducer shaft
- Select models with improved kink resistance
- Atraumatic tip
- Integrated hemostasis valve
- Radiopaque tip marker
- Accommodates 98 cm length BRK™ Transseptal Needles, BRK-1™ and XS series versions, see pages 34 and 35

Ordering Information

8.5 F Agilis™ NxT Steerable Introducer with Tip Marker; 91 cm Lumen Length, 71 cm Usable Length, Dilator and 180 cm Super Stiff Guidewire with Finger Straightenable 3 mm “J” (1 unit per box). Dilator protrusion at full assembly ~ 3 cm.

REORDER NUMBER	CURL DIMENSION	SHEATH FRENCH SIZE	DILATOR FRENCH SIZE	MAXIMUM GUIDEWIRE DIAMETER (IN)	CURVE TYPE	SHEATH USABLE LENGTH (CM)
408309	16.8 mm	8.5	8.5	.032	Small Curl Dual-Reach™ Bi-directional	71
G408320*	16.8 mm	8.5	8.5	.032	Small Curl Dual-Reach™ Bi-directional	71
408310	22.4 mm	8.5	8.5	.032	Medium Curl Dual-Reach™ Bi-directional	71
G408321*	22.4 mm	8.5	8.5	.032	Medium Curl Dual-Reach™ Bi-directional	71
G408324*	50.0 mm	8.5	8.5	.032	Large Curl Dual-Reach™ Bi-directional	71

*Models with improved kink resistance



Swartz™ Braided Transseptal Guiding Introducers LAMP™ Series

81 cm Length
8 F – 8.5

Product Highlights

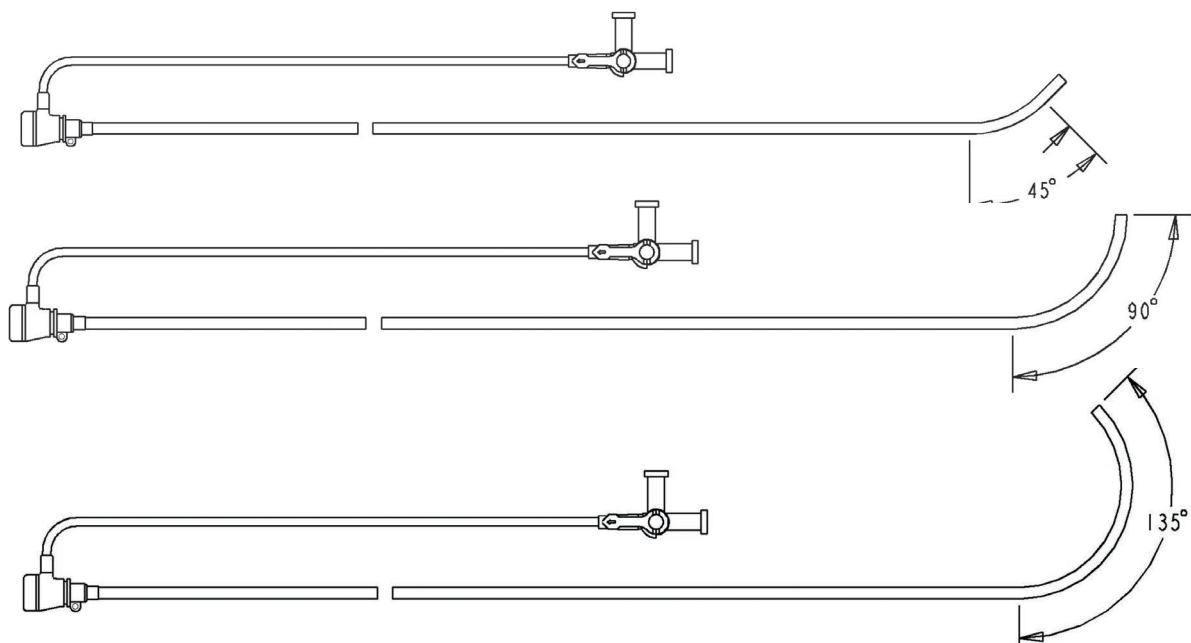
- Braided sheath facilitates torquability, pushability and catheter stability
- Ultra-soft tip for atraumatic performance
- Three curve options available (LAMP™ 45, LAMP™ 90, LAMP™ 135)*
- Smaller offset side hole reduce likelihood of guidewire exiting sidehole
- Ultimum™ valve for effective hemostasis and minimal risk of air aspiration
- Accommodates 89 cm length BRK™ Transseptal Needles, BRK-1™ and XS series versions, see pages 34 and 35

*LAMP = Left Atrial Multi Purpose

Ordering Information

Swartz™ Braided LAMP™ Transseptal Guiding Introducer Sheath with Hemostasis valve and Sideport, Dilator and 180 cm Super Stiff Guidewire 3 mm “J” (1 unit per box). Dilator protrusion at full assembly ~ 3 cm.

REORDER NUMBER	SHEATH FRENCH SIZE	DILATOR FRENCH SIZE	MAXIMUM GUIDEWIRE DIAMETER (IN)	CURVE TYPE	SHEATH USABLE LENGTH (CM)	DILATOR USABLE LENGTH (CM)
407363	8.5	8.5	.032	LAMP™ 45	81	85
407359	8.5	8.5	.032	LAMP™ 90	81	85
407367	8.5	8.5	.032	LAMP™ 135	81	85



Fast-Cath™ Transseptal Guiding Introducer Swartz™ SL Transseptal Series

63 cm Length
8 F – 8.5 F

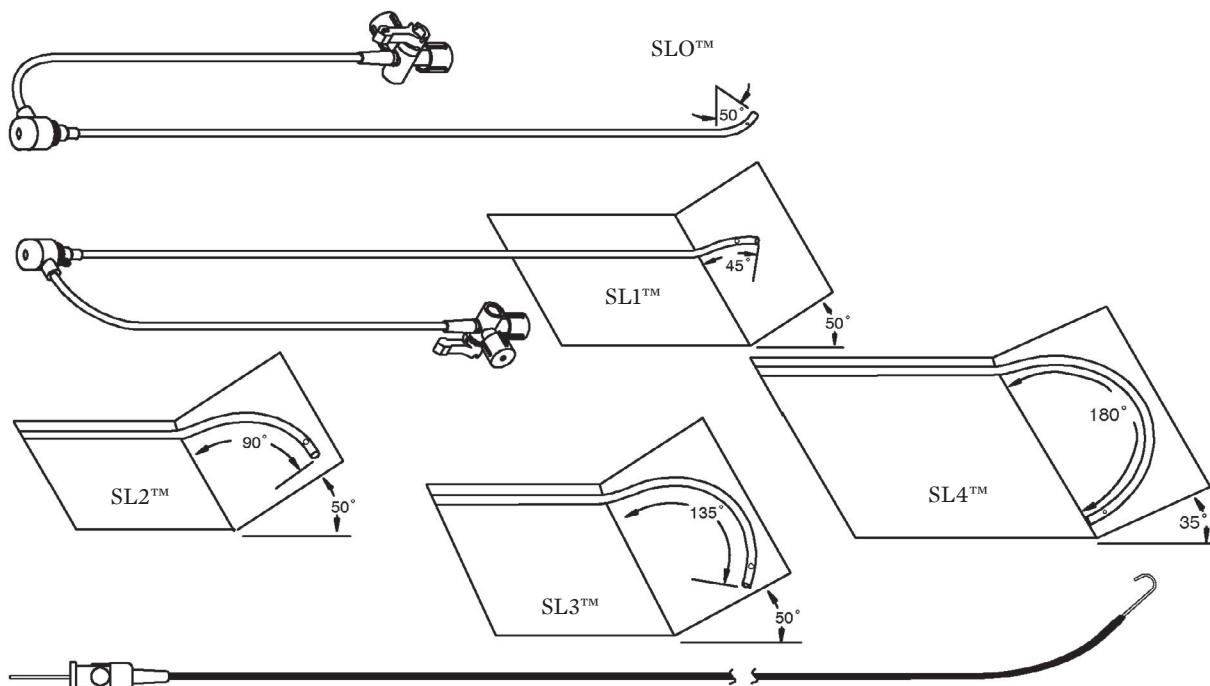
Product Highlights

- All of the advantages of Fast-Cath™ hemostasis introducer technology
- Sideholes and radiopaque tip marker at the distal end of the sheath
- Centimeter markings on the proximal portion of the dilator
- Accommodates 71 cm length BRK™ Transseptal Needles, BRK-1™ and XS series versions, see pages 34 and 35

Ordering Information

Swartz™ Introducer Sheath with Hemostasis Valve and Sideport, Dilator and 180 cm Super Stiff Guidewire with Finger Straightenable 3 mm “J” (1 unit per box). Dilator protrusion at full assembly ~ 2.5 cm.

REORDER NUMBER	SHEATH FRENCH SIZE	DILATOR FRENCH SIZE	MAXIMUM GUIDEWIRE DIAMETER (IN)	CURVE TYPE	SHEATH USABLE LENGTH (CM)	DILATOR USABLE LENGTH (CM)
406948	8	8	.032	SLO™	63	67
406840	8	8	.032	SL1™	63	67
406841	8	8	.032	SL2™	63	67
406842	8	8	.032	SL3™	63	67
406843	8	8	.032	SL4™	63	67
406849	8.5	8.5	.032	SL1™	63	67
406850	8.5	8.5	.032	SL2™	63	67
406851	8.5	8.5	.032	SL3™	63	67
406852	8.5	8.5	.032	SL4™	63	67



Fast-Cath™ Transseptal Guiding Introducer Swartz™ SL Transseptal Series

81 cm Length
8 F

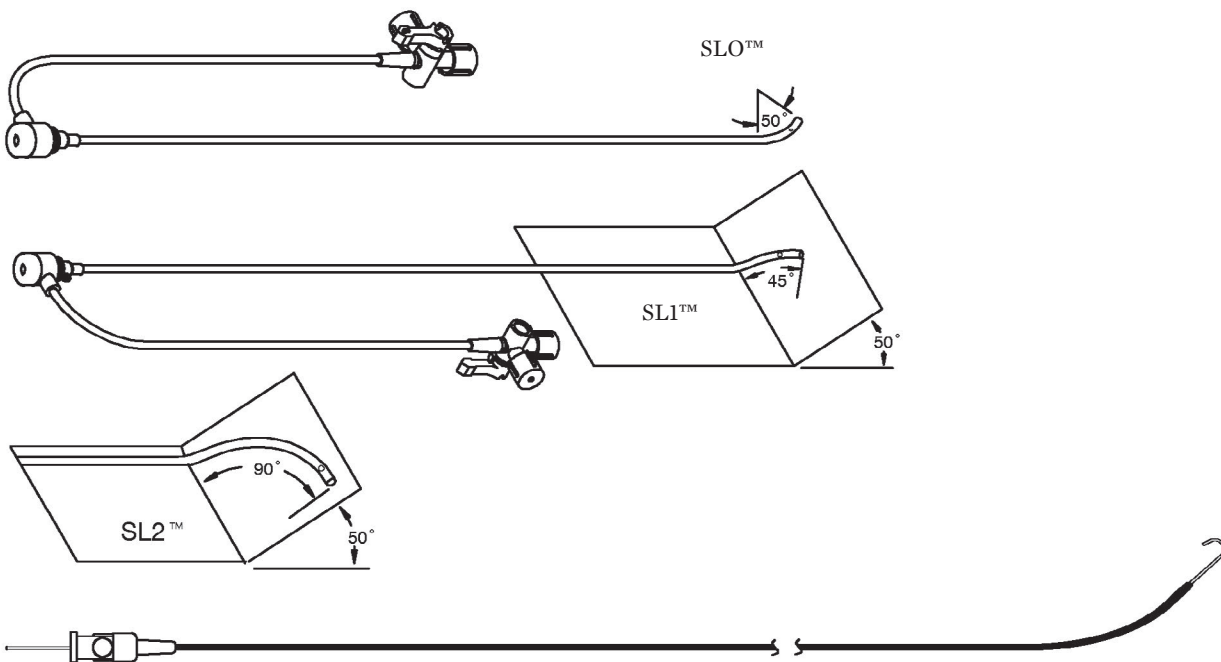
Product Highlights

- All of the advantages of Fast-Cath™ hemostasis introducer technology
- Side hole and radiopaque tip marker at the distal end of the sheath
- Centimeter markings on the proximal portion of the dilator
- Accommodates 89 cm length BRK™ Transseptal Needles, BRK-1™ and XS series versions, see pages 34 and 35

Ordering Information

Swartz™ Introducer Sheath with Hemostasis Valve and Sideport, Dilator and 180 cm Super Stiff Guidewire with Finger Straightenable 3 mm “J” (1 unit per box). Dilator protrusion at full assembly ~ 2.5 cm.

REORDER NUMBER	SHEATH FRENCH SIZE	DILATOR FRENCH SIZE	MAXIMUM GUIDEWIRE DIAMETER (IN)	CURVE TYPE	SHEATH USABLE LENGTH (CM)	DILATOR USABLE LENGTH (CM)
406949	8	8	.032	SLO™	81	85
407400	8	8	.032	SL1™	81	85
407401	8	8	.032	SL2™	81	85



Fast-Cath™ Transseptal Guiding Introducer SL Series

10 F

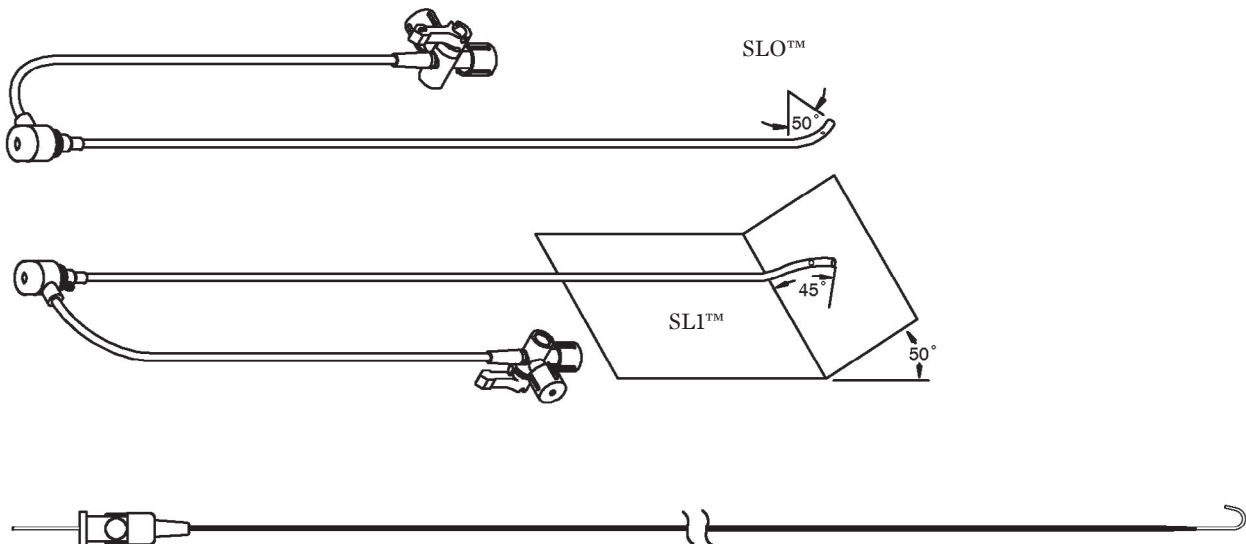
Product Highlights

- All of the advantages of Fast-Cath™ hemostasis introducer technology
- Side holes and radiopaque tip marker at the distal end of the sheath
- Accommodates 71 cm length BRK™ Transseptal Needles, BRK-1™ and XS series versions, see pages 34 and 35

Ordering Information

Introducer Sheath with Hemostasis Valve and Sideport, Dilator and Guidewire with Finger Straightenable 3 mm “J” (1 unit per box). Dilator protrusion at full assembly ~ 2.5 cm.

REORDER NUMBER	SHEATH FRENCH SIZE	DILATOR FRENCH SIZE	GUIDEWIRE LENGTH AND TYPE	MAXIMUM GUIDEWIRE DIAMETER (IN)	CURVE TYPE	SHEATH USABLE LENGTH (CM)	DILATOR USABLE LENGTH (CM)
406968	10	10	180 cm, Super Stiff	.032	SLO™	63	67
406969	10	10	180 cm, Super Stiff	.032	SL1™	63	67



Fast-Cath™ Transseptal Guiding Introducer

61 cm Sheath
6 F – 8.5 F

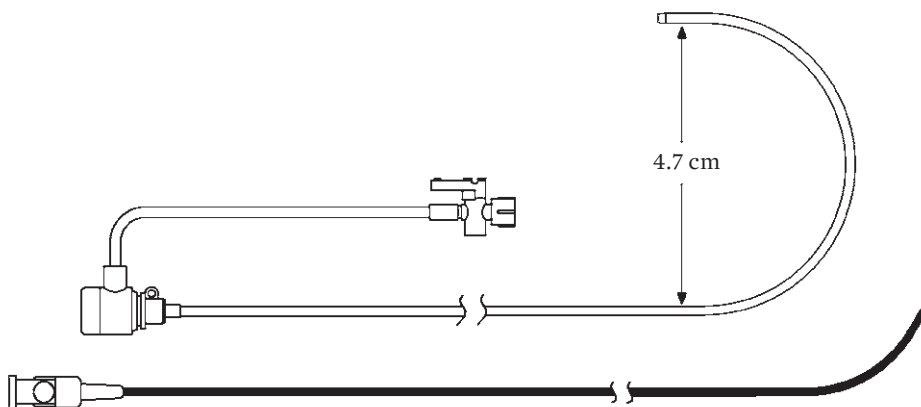
Product Highlights

- Close tolerance extrusion and proprietary tipping process facilitate tracking on a guidewire
- Convenient suture rings to secure sheath during catheter manipulation or during prolonged vascular access
- Fast-Cath™ valve preserves catheter handling characteristics while minimizing backbleeding and air aspiration
- Snap lock feature secures dilator in sheath during insertion
- Centimeter markings on the proximal portion of the dilator
- Accommodates 71 cm length BRK™ Transseptal Needles, BRK-1™ and XS series versions, see pages 34 and 35

Ordering Information

Introducer Sheath with Hemostasis Valve and Sideport, and Dilator (1 unit per box). Dilator protrusion at full assembly ~ 4.5 cm.

REORDER NUMBER	FRENCH SIZE	MAXIMUM GUIDEWIRE DIAMETER (IN)	CURVE TYPE	SHEATH USABLE LENGTH (CM)	DILATOR USABLE LENGTH (CM)
406800	6	.032	“Mullins” style	61	67
406802	7	.032	“Mullins” style	61	67
406804	8.5	.032	“Mullins” style	61	67



Fast-Cath™ Transseptal Guiding Introducer 60 and 62 cm Sheath with Tip Marker

8 F – 10 F

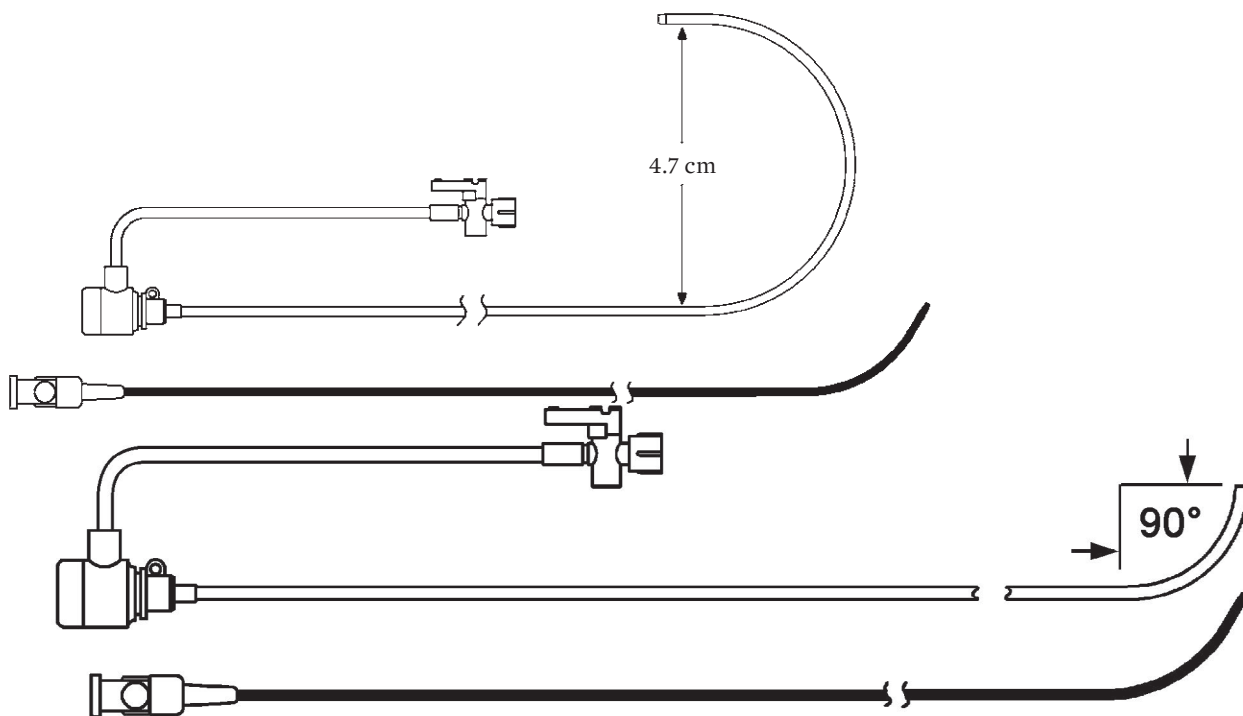
Product Highlights

- Close tolerance extrusion and proprietary tipping process facilitate tracking on a guidewire
- Convenient suture rings to secure sheath during catheter manipulation or during prolonged vascular access
- Fast-Cath™ valve preserves catheter handling characteristics while minimizing backbleeding and air aspiration
- Snap lock feature secures dilator in sheath during insertion
- Centimeter markings on the proximal portion of the dilator
- Radiopaque tip marker at the distal end of the sheath
- Accommodates 71 cm length BRK™ Transseptal Needles, BRK-1™ and XS series versions, see pages 34 and 35

Ordering Information

Introducer Sheath with Hemostasis Valve and Sideport, and Dilator (1 unit per box). Dilator protrusion at full assembly for 8 F and 8.5 F sheath ~ 5.5 cm, for 10 F sheath ~ 3.5 cm.

REORDER NUMBER	FRENCH SIZE	MAXIMUM GUIDEWIRE DIAMETER (IN)	CURVE TYPE	SHEATH USABLE LENGTH (CM)	DILATOR USABLE LENGTH (CM)
406805	8	.032	“Mullins” style	60	67
406901	10	.032	“Mullins” style	62	67
406902	8.5	.032	“Mullins” style	60	67
406586	8	.032	90 degree	60	67



Fast-Cath™ Transseptal Guiding Introducer 63 cm Sheath with Tip Marker

8 F – 10 F

Product Highlights

- Close tolerance extrusion and proprietary tipping process facilitate tracking on a guidewire
- Convenient suture rings to secure sheath during catheter manipulation or during prolonged vascular access
- Fast-Cath™ valve preserves catheter handling characteristics while minimizing backbleeding and air aspiration
- Snap lock feature secures dilator in sheath during insertion
- Centimeter markings on the proximal portion of the dilator
- Radiopaque tip marker at the distal end of the sheath
- Side holes prevent sheath cavitation
- Accommodates 71 cm length BRK™ Transseptal Needles, BRK-1™ and XS series versions, see pages 34 and 35

Ordering Information

Introducer Sheath with Hemostasis Valve and Sideport, Dilator and 180 cm Super Stiff Guidewire with 3 mm “J” tip (1 unit per box). Dilator protrusion at full assembly ~ 2.5 cm.

REORDER NUMBER	FRENCH SIZE	MAXIMUM GUIDEWIRE DIAMETER (IN)	CURVE TYPE	SHEATH USABLE LENGTH (CM)	DILATOR USABLE LENGTH (CM)
407436	8	.032	“Mullins” style	63	67
407438	10	.032	“Mullins” style	63	67

